



Quench

960-16/ 965-16



Bottlefree Water Cooler and Ice Dispenser

- Filtered ambient and hot drinking water and chewable ice
- Produces up to 165 lbs. of chewable compressed nugget ice in 24 hours*
- Stores up to 16 lbs. of chewable ice
- State-of-the-art filtration technology
- In-tank and in-storage bin LED UV to maintain cleanliness
- Touchless pedal or sensor dispensing conversion available
- Available as a freestanding model or as a space-saving countertop

water up 





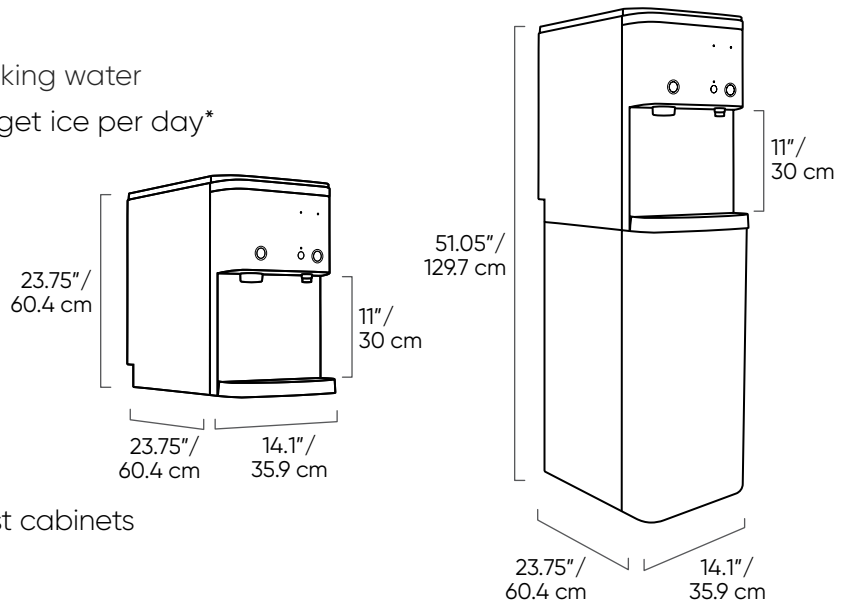
Quench 960-16/965-16

Elevate your breakroom water and ice with the Quench 960-16! The Quench 960-16 water and ice dispenser produces up to 165 lbs. of high-quality chewable ice nuggets while providing freshly filtered ambient and hot drinking water. With its taller “no-bend” ergonomic design, the Quench 960-16 is an attractive addition to any workplace location – break room, kitchen, or hallway. The Quench 960-16 also offers peace of mind with in-tank UV to maintain water cleanliness and prevent cross-contamination. The Quench 960-16 is also available as a compact space-saving countertop model, the Quench 965-16. Water up with the Quench 960-16!



Bottlefree Water Cooler & Ice Dispenser

- State-of-the-art Quench filtration
- Single spout for room temperature and hot drinking water
- Produces 165 lbs. of chewable compressed nugget ice per day*
- Stores up to 16 lbs. of ice
- Hot water safety dispensing
- Optional drainless installation
- Leak detection technology
- Touchless dual pedal dispensing or sensor interface conversion available
- Taller ergonomic “no-bend” dispensing design (freestanding model)
- Countertop model Quench 965-16 fits under most cabinets



Specifications

Quench 960-16 (Freestanding)

| | |
|----------------------------|---|
| Dimensions | 51.05" h x 14.1" w x 23.75" d / 129.7 cm h x 35.9 cm w x 60.4 cm d |
| Dispensing Area Height | 11"/30 cm |
| Weight | 131 lbs/59.5 kgs |
| Ice Output | 165 lbs/74.9 kg in 24 hours |
| Ice Storage | 16 lbs/7.3 kg |
| Recommended Water Pressure | 30 - 70 PSI |
| Rated Voltage/Frequency | 120V/60Hz |
| Power Consumption | 4.9 amps (565 W) |
| Drainage | Drainless Technology available in low TDS environments (<150 ppm) |
| Clearance | 5" sides, rear; Access to the top is required for service |
| Model Number | 960-16 |

Quench 965-16 (Countertop)

| | |
|----------------------------|--|
| Dimensions | 23.75" h x 14.1" w x 23.75" d / 60.4 cm h x 35.9 cm w x 60.4 cm d |
| Dispensing Area Height | 11"/30 cm |
| Weight | 99 lbs/45 kg |
| Ice Output | 165 lbs/74.9 kg in 24 hours |
| Ice Storage | 16 lbs/7.3 kg |
| Recommended Water Pressure | 30 - 70 PSI |
| Rated Voltage/Frequency | 120V/60Hz |
| Power Consumption | 4.9 amps (565 W) |
| Drainage | Drainless Technology available in low TDS environments (<150 ppm) |
| Clearance | 5" sides, rear; Access to the top is required for service |
| Model Number | 965-16 |

Quench products are certified by independent authorized 3rd party laboratories in accordance of appropriate industry standards. To find out more about which certifications your product may have, please contact us.

* Ice production can change based on source water temperature and ambient air temperature.